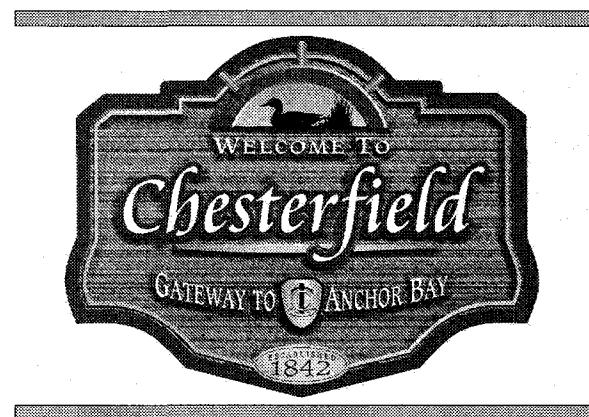
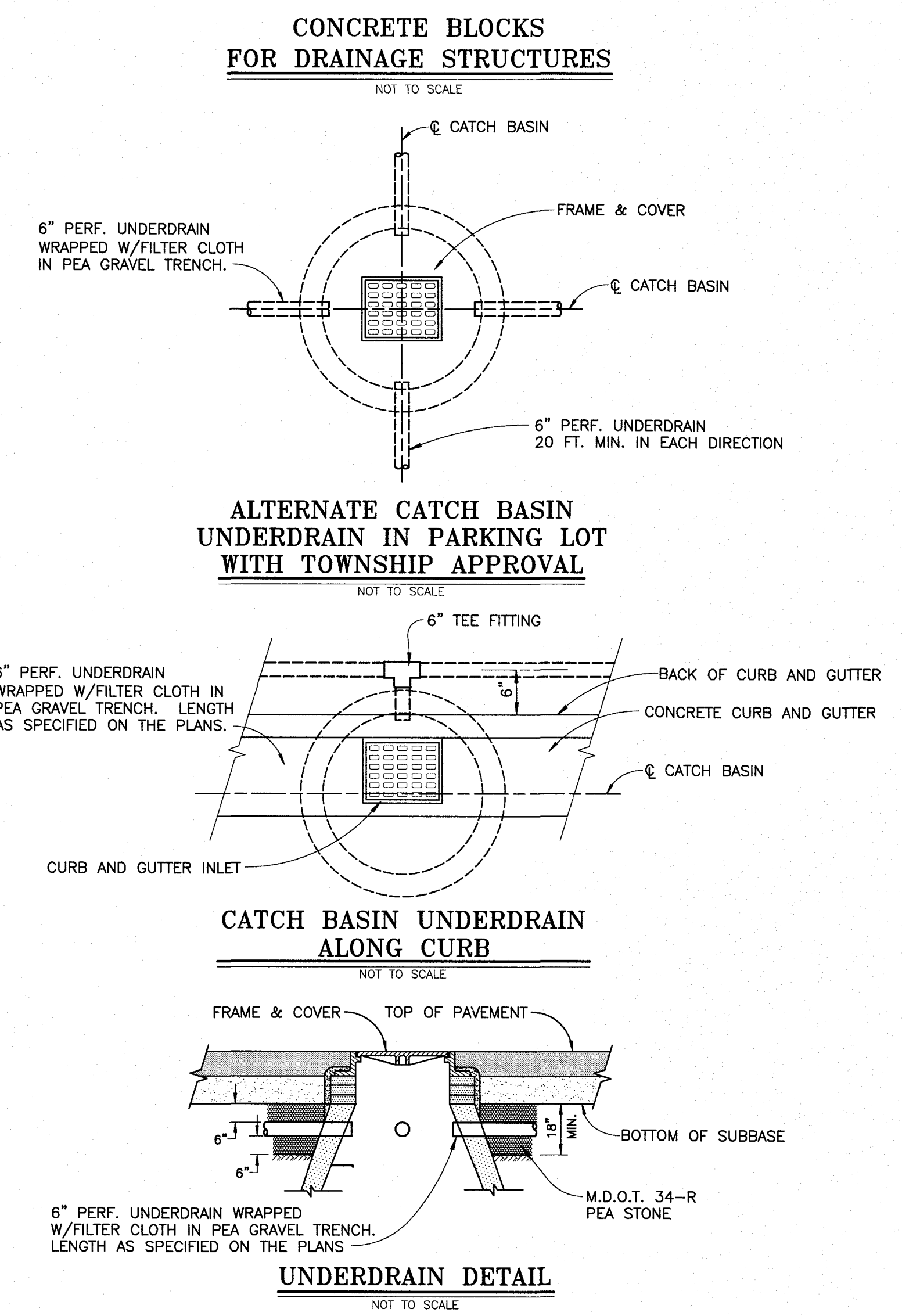
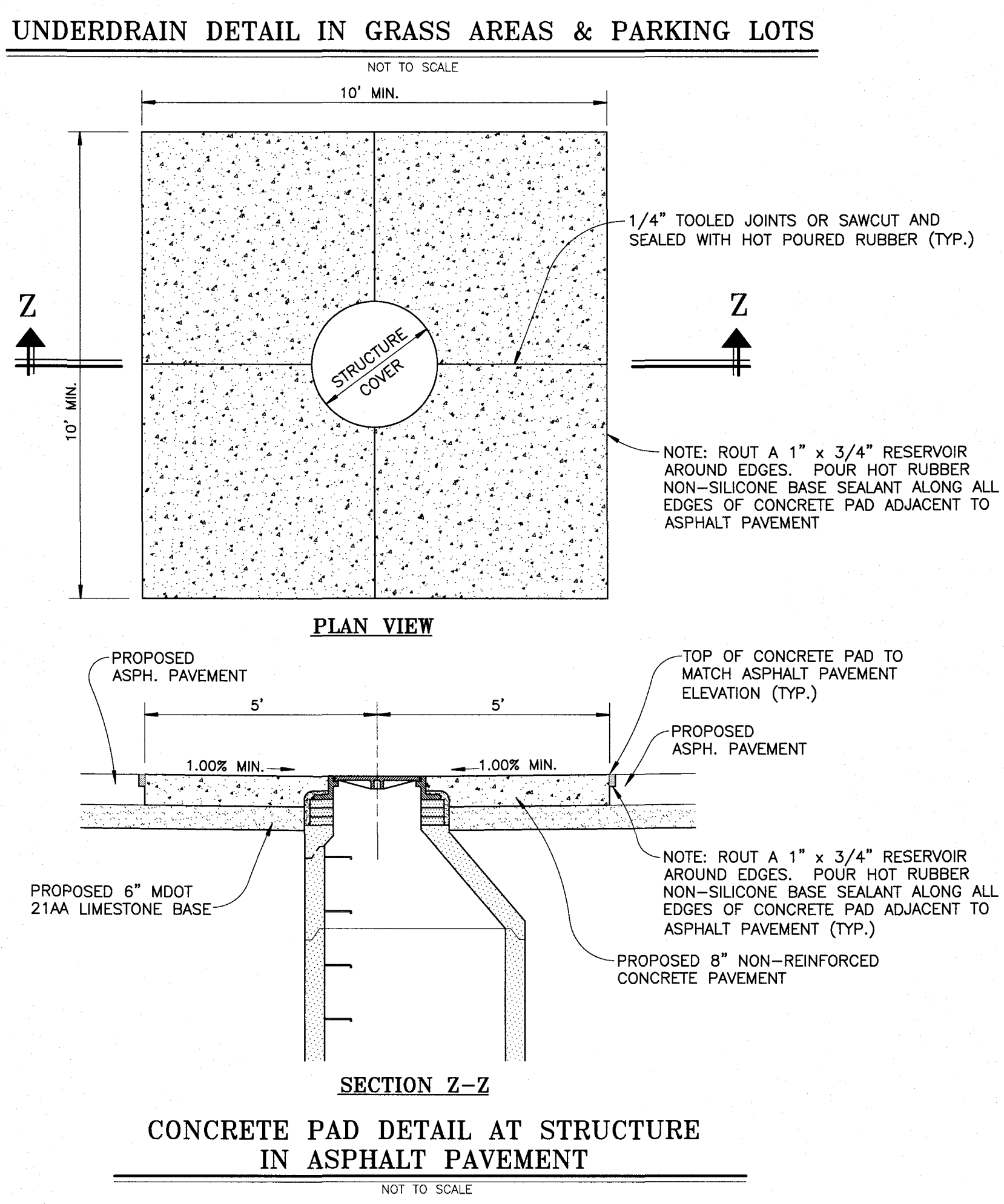
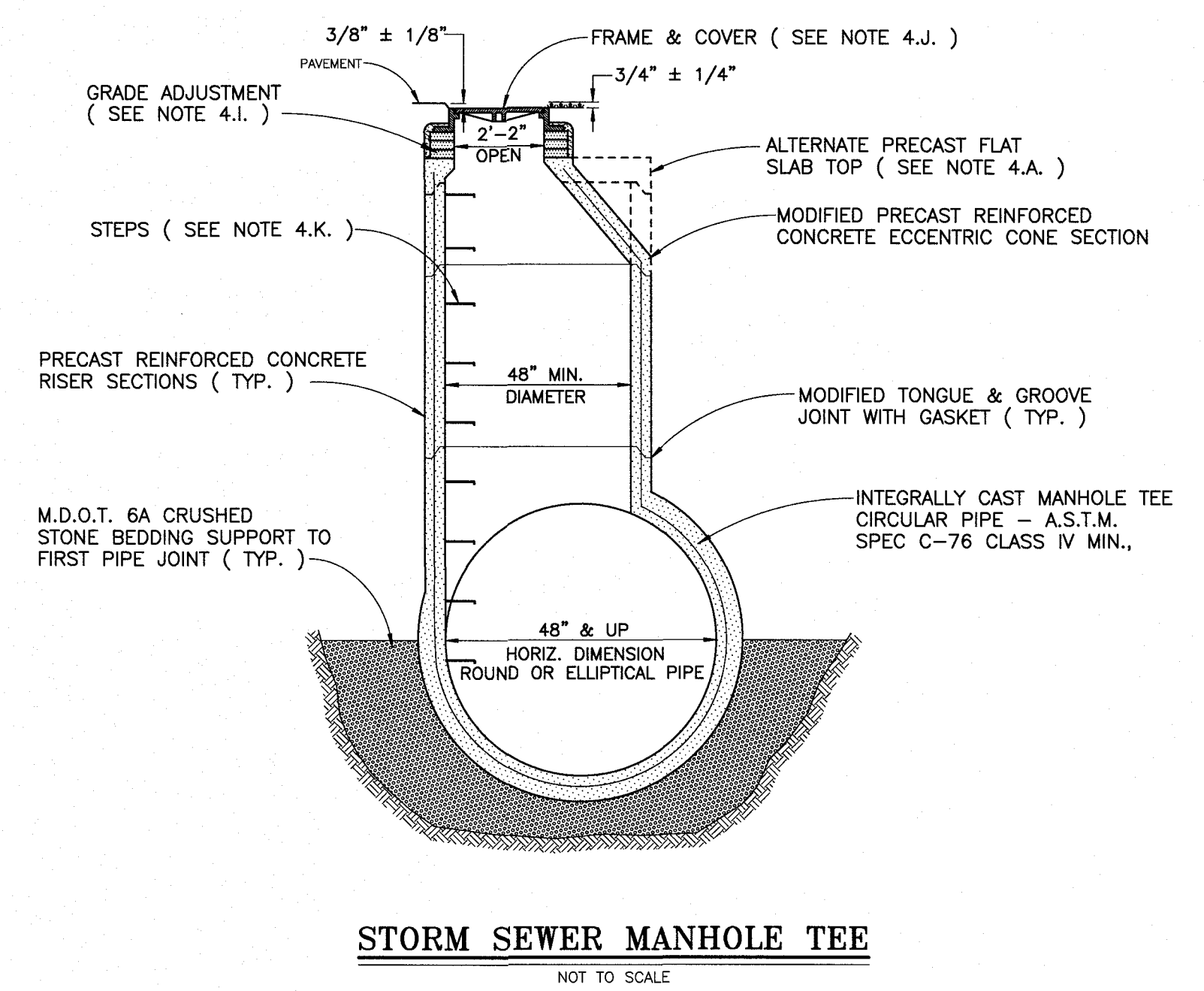


TYPICAL WALL SECTIONS FOR ALL DRAINAGE STRUCTURES
NOT TO SCALE



DATE	SUBMITTALS/REVISIONS
DRAWN BY: MJS	CHECKED BY: AAP
DATE: SEPTEMBER 2010	

M:\COMMUNITIES\CHESTERFIELD\STDETAILS\CURRENT\STORM_1.DWG
Model--12/5/2018 8:42:41 AM

STATE OF MICHIGAN
LYLE E. WINN
ENGINEER
No. 32889
LICENSED PROFESSIONAL ENGINEER

Lyle E. Winn
LYLE E. WINN P.E. NO. 32889

DEPARTMENT OF PUBLIC WORKS

APPROVED BY: *Don Coddington*
DON CODDINGTON, DIRECTOR

DATE: 12/6/18

CHARTER TOWNSHIP OF CHESTERFIELD

STANDARD STORM SEWER DETAILS
(1 OF 2)